

SATURATED NONLINEAR PID GLOBAL REGULATOR FOR ROBOT MANIPULATORS: PASSIVITY BASED ANALYSIS ¹

José Luis Meza*, Víctor Santibáñez*
and Víctor M. Hernández **

* *Instituto Tecnológico de la Laguna*
Apdo. Postal 49, Adm. 1 C.P. 27001
Torreón, Coahuila, MEXICO
e-mail: jlmeza@itlalaguna.edu.mx
e-mail: vsantiba@itlalaguna.edu.mx

** *Universidad Autónoma de Querétaro*
Apdo. Postal 3-24. C.P. 76150
Querétaro, Qro., MEXICO
e-mail: vmhg@uaq.mx

Abstract: In this paper we propose a saturated nonlinear PID regulator for solving the problem of global regulation in robot manipulators with bounded torques. An approach based on interconnected passive systems is used for analyzing the global asymptotic stability. To this end, we use a passivity theorem which is an adaptation of a passivity theorem given in (Khalil, 1996). Such a theorem deals with asymptotic stability of the equilibrium of an unforced interconnected system in which the feedforward system is state strictly passive and the feedback system is passive and equilibrium–state observable. *Copyright ©2005 IFAC.*

Keywords: Nonlinear PID, passivity, bounded control, asymptotic stability.

1. INTRODUCTION

The Saturation phenomenon in robot control systems is present when the actuators are driven by sufficiently large control signals. If this physical constraint is not considered in the controller design, it may lead to a lack of stability guarantee. Some works have been reported to solve this problem, (Kelly, and Santibáñez, 1996; Colbaugh, *et al.*, 1997a; Colbaugh, *et al.*, 1997b; Loria, *et al.*, 1997; Santibáñez, and Kelly, 1997; Santibáñez, and Kelly, 1998b; Zergeroglu, *et al.*, 2000). On the other hand, some global nonlinear PID reg-

ulators, which are based on Lyapunov and passivity theory, has been reported in (Arimoto, 1995; Kelly, 1998; Santibáñez, and Kelly, 1998a; Meza and Santibáñez, 1999) however, they do not take into account the effects of actuators saturation. Recently, two saturated PID controllers have been reported: a semiglobal saturated linear PID control (Alvarez, *et al.*, 2003) and a global saturated nonlinear PID control (Gorez, 1999). In this paper we introduce a new global saturated nonlinear PID controller, which has a simpler structure than that presented in (Gorez, 1999). It is demonstrated that the proposed saturated nonlinear PID regulator, can be considered as a passivity based regulator that allows to see the closed loop sys-

¹ Work partially supported by CONACyT and COSNET, Mexico.

tem as a feedback connection between two passive systems. With the end of proving the asymptotic stability of the proposed controller, we present a passivity theorem which is an adaptation, for asymptotic stability purposes, of a passivity theorem given in (Khalil, 1996). Such a theorem deals with the asymptotic stability of the equilibrium of an unforced interconnected system in which the feedforward system is state strictly passive, and the feedback system is passive and observable in the equilibrium-state. Throughout this paper, we use the notation $\lambda_m\{A\}$ and $\lambda_M\{A\}$ to indicate the smallest and largest eigenvalues, respectively, of a symmetric positive definite bounded matrix $A(\mathbf{x})$, for any $\mathbf{x} \in \mathbb{R}^n$. The norm of a vector \mathbf{x} is defined as $\|\mathbf{x}\| = \sqrt{\mathbf{x}^T \mathbf{x}}$ and that of a matrix A is defined as the corresponding induced norm $\|A\| = \sqrt{\lambda_M\{A^T A\}}$. L_2^n and L_{2e}^n denote the space of n -dimensional square integrable functions and its extension, respectively.

2. DYNAMICS OF RIGID ROBOTS AND CONTROL PROBLEM FORMULATION

The dynamics of a serial n -link rigid robot, including the effect of viscous friction, can be written as (Spong, 1989):

$$M(\mathbf{q})\ddot{\mathbf{q}} + C(\mathbf{q}, \dot{\mathbf{q}})\dot{\mathbf{q}} + \mathbf{g}(\mathbf{q}) + F_v \dot{\mathbf{q}} = \boldsymbol{\tau} \quad (1)$$

where \mathbf{q} is the $n \times 1$ vector of joint displacements, $\dot{\mathbf{q}}$ is the $n \times 1$ vector of joint velocities, $\boldsymbol{\tau}$ is the $n \times 1$ vector of applied torques, $M(\mathbf{q})$ is the $n \times n$ symmetric positive definite manipulator inertia matrix, $C(\mathbf{q}, \dot{\mathbf{q}})$ is the $n \times n$ matrix of centripetal and Coriolis torques, F_v is the $n \times n$ diagonal matrix of viscous friction coefficients f_{vi} for $i = 1, 2, \dots, n$, and $\mathbf{g}(\mathbf{q})$ is the $n \times 1$ vector of gravitational torques obtained as the gradient of the robot potential energy $\mathcal{U}(\mathbf{q})$, i.e.

$$\mathbf{g}(\mathbf{q}) = \frac{\partial \mathcal{U}(\mathbf{q})}{\partial \mathbf{q}}. \quad (2)$$

We assume that the links are jointed together with revolute joints.

2.1 Properties of the Robot Dynamics

Three important properties of dynamics (1) are the following:

Property 1. (Koditschek, 1984). The matrix $C(\mathbf{q}, \dot{\mathbf{q}})$ and the time derivative $\dot{M}(\mathbf{q})$ of the inertia matrix satisfy:

$$\dot{\mathbf{q}}^T \left[\frac{1}{2} \dot{M}(\mathbf{q}) - C(\mathbf{q}, \dot{\mathbf{q}}) \right] \dot{\mathbf{q}} = \mathbf{0} \quad \forall \mathbf{q}, \dot{\mathbf{q}} \in \mathbb{R}^n.$$

Furthermore there exists a positive constant k_{c1} such that for all $\mathbf{x}, \mathbf{y}, \mathbf{z} \in \mathbb{R}^n$ it has

$$\|\mathbf{c}(\mathbf{x}, \mathbf{y})\mathbf{z}\| \leq k_{c1} \|\mathbf{y}\| \|\mathbf{z}\|.$$

Property 2. (Craig, 1988). The gravitational torque vector $\mathbf{g}(\mathbf{q})$ is bounded for all $\mathbf{q} \in \mathbb{R}^n$. This means that there exist finite constants $\bar{g}_i \geq 0$ such that

$$\sup_{\mathbf{q} \in \mathbb{R}^n} |g_i(\mathbf{q})| \leq \bar{g}_i \quad i = 1, \dots, n. \quad (3)$$

where $g_i(\mathbf{q})$ stands for the elements of $\mathbf{g}(\mathbf{q})$. Equivalently, there exists a constant k' such that

$$\|\mathbf{g}(\mathbf{q})\| \leq k' \quad \text{for all } \mathbf{q} \in \mathbb{R}^n.$$

Furthermore there exists a positive constant k_g such that

$$\|\mathbf{g}(\mathbf{x}) - \mathbf{g}(\mathbf{y})\| \leq k_g \|\mathbf{x} - \mathbf{y}\|.$$

for all $\mathbf{x}, \mathbf{y} \in \mathbb{R}^n$.

2.2 Problem Formulation

Consider the robot dynamic model (1). Assume that each joint actuator is able to supply a known maximum torque τ_i^{\max} so that:

$$|\tau_i| \leq \tau_i^{\max}, \quad i = 1, \dots, n \quad (4)$$

where τ_i stands for the i -entry of vector $\boldsymbol{\tau}$. We also assume that the maximum torque τ_i^{\max} of each actuator satisfies the following condition

$$\tau_i^{\max} > \bar{g}_i, \quad (5)$$

where \bar{g}_i was defined in Property 2. This assumption means that the robot actuators are able to supply torques in order to hold the robot at rest for all desired joint position $\mathbf{q}_d \in \mathbb{R}^n$.

The control problem is to design a controller to compute the torque $\boldsymbol{\tau} \in \mathbb{R}^n$ applied to the joints, which satisfies the constraints (4), such that, the robot joint displacements \mathbf{q} tend asymptotically toward the constant desired joint displacements \mathbf{q}_d .

3. PASSIVITY DEFINITIONS

Consider dynamical systems represented by

$$\dot{\mathbf{x}} = \mathbf{f}(\mathbf{x}, \mathbf{u}) \quad (6)$$

$$\mathbf{y} = \mathbf{h}(\mathbf{x}, \mathbf{u}) \quad (7)$$

where $\mathbf{u} \in \mathbb{R}^n$, $\mathbf{y} \in \mathbb{R}^n$, $\mathbf{x} \in \mathbb{R}^m$, $\mathbf{f}(\mathbf{x}^*, \mathbf{0}) = \mathbf{0}$, $\mathbf{h}(\mathbf{x}^*, \mathbf{0}) = \mathbf{0}$, and \mathbf{x}^* is the equilibrium point of (6). Moreover \mathbf{f} , \mathbf{h} are supposed sufficiently smooth such that the system is well-defined, i.e.,

$\forall \mathbf{u} \in L_{2e}^n$ and $\mathbf{x}(0) \in \mathbb{R}^m$ we have that the solution $\mathbf{x}(\cdot)$ is unique and $\mathbf{y} \in L_{2e}^n$. The following definitions 1 and 2, have been adapted (for non-zero equilibrium) from (Khalil, 1996).

Definition 1. The system (6)–(7) is said to be passive if there exists a continuously differentiable positive semidefinite function $V(\mathbf{x} - \mathbf{x}^*)$ (called the storage function) such that

$$\mathbf{u}^T \mathbf{y} \geq \dot{V}(\mathbf{x} - \mathbf{x}^*) + \epsilon \|\mathbf{u}\|^2 + \delta \|\mathbf{y}\|^2 + \rho \psi(\mathbf{x} - \mathbf{x}^*) \quad (8)$$

where ϵ , δ , and ρ are nonnegative constants, and $\psi(\mathbf{x} - \mathbf{x}^*) : \mathbb{R}^m \rightarrow \mathbb{R}$ is a positive definite function of $\mathbf{x} - \mathbf{x}^*$. The term $\rho \psi(\mathbf{x} - \mathbf{x}^*)$ is called the state dissipation rate. Furthermore, the system is said to be: lossless if (8) is satisfied with equality and $\epsilon = \delta = \rho = 0$; that is, $\mathbf{u}^T \mathbf{y} = \dot{V}(\mathbf{x} - \mathbf{x}^*)$; input strictly passive if $\epsilon > 0$ and $\delta = \rho = 0$; output strictly passive if $\delta > 0$ and $\epsilon = \rho = 0$; state strictly passive if $\rho > 0$ and $\epsilon = \delta = 0$. If more than one of the constants ϵ , δ , ρ are positive we combine names.

Definition 2. The system (6)–(7) is said to be equilibrium–state observable if $\mathbf{u}(t) \equiv \mathbf{0}$ and $\mathbf{y}(t) \equiv \mathbf{0} \Rightarrow \mathbf{x}(t) \equiv \mathbf{x}^*$. Equivalently, no solutions of $\dot{\mathbf{x}} = \mathbf{f}(\mathbf{x}, \mathbf{0})$ can stay identically in $S = \{\mathbf{x} \in \mathbb{R}^m : \mathbf{h}(\mathbf{x}, \mathbf{0}) = \mathbf{0}\}$, other than the solution $\mathbf{x}(t) \equiv \mathbf{x}^*$.

Definition 3. (Kelly, 1998). $\mathcal{F}(m, \epsilon, \mathbf{x})$ with $1 \geq m > 0$, $\epsilon > 0$ and $\mathbf{x} \in \mathbb{R}^n$ denotes the set of all continuous differentiable increasing functions $\mathbf{f}(\mathbf{x}) = [f(x_1) \ f(x_2) \ \dots \ f(x_n)]^T$ such that

- $|x| \geq |f(x)| \geq m|x|, \quad \forall x \in \mathbb{R} : |x| < \epsilon$
- $\epsilon \geq |f(x)| \geq m\epsilon, \quad \forall x \in \mathbb{R} : |x| \geq \epsilon$
- $1 \geq \frac{df(x)}{dx} \geq 0, \quad \forall x \in \mathbb{R}$

Definition 4. The hard saturation function $\mathbf{SAT}(\mathbf{x}; \mathbf{k}) \in \mathbb{R}^n$ is defined by

$$\mathbf{SAT}(\mathbf{x}; \mathbf{k}) = \begin{bmatrix} \text{SAT}(x_1; k_1) \\ \text{SAT}(x_2; k_2) \\ \vdots \\ \text{SAT}(x_n; k_n) \end{bmatrix}, \quad \mathbf{x} = \begin{bmatrix} x_1 \\ x_2 \\ \vdots \\ x_n \end{bmatrix},$$

$\mathbf{k} = [k_1 \ k_2 \ \dots \ k_n]^T$, where k_i is the i -th saturation limit, and

$$\text{SAT}(x_i; k_i) = \begin{cases} x_i & \text{if } |x_i| \leq k_i \\ k_i & \text{if } x_i > k_i \\ -k_i & \text{if } x_i < -k_i \end{cases}$$

for $i = 1, 2, \dots, n$.

4. SATURATED NONLINEAR PID GLOBAL REGULATOR

In this section we present a new saturated nonlinear PID controller to solve the set-point control problem of robot manipulators with actuator torque constraints.

4.1 Main Result

The proposed control law is given by

$$\boldsymbol{\tau} = K_p \mathbf{SAT}(\tilde{\mathbf{q}}; \boldsymbol{\tau}_p) - K_v \mathbf{SAT}(\dot{\mathbf{q}}; \boldsymbol{\tau}_v) + K_i \mathbf{SAT}(\mathbf{w}; \boldsymbol{\tau}_w) \quad (9)$$

with

$$\mathbf{w} = \int_0^t (\alpha \text{sat}(\tilde{\mathbf{q}}(\sigma)) - \dot{\mathbf{q}}) d\sigma$$

where $\boldsymbol{\tau}_p$, $\boldsymbol{\tau}_v$ and $\boldsymbol{\tau}_w$ are the respective vectors of saturation limits whose elements satisfy $k_{p_i} \tau_{p_i} \leq \tau_{p_i}^{\max}$, $k_{v_i} \tau_{v_i} \leq \tau_{v_i}^{\max}$ and $k_{i_i} \tau_{w_i} \leq \tau_{w_i}^{\max}$, with $\tau_i^{\max} \geq \tau_{p_i}^{\max} + \tau_{v_i}^{\max} + \tau_{w_i}^{\max} \geq \bar{g}_i$, for $i = 1, 2, \dots, n$, where $\tau_{p_i}^{\max}$, $\tau_{v_i}^{\max}$ and $\tau_{w_i}^{\max}$ are the allowed maximum torques, for the proportional, derivative and integral actions respectively, for the i -th actuator. K_p , K_v and K_i are $n \times n$ diagonal positive definite matrices whose element are k_{p_i} , k_{v_i} , k_{i_i} respectively with $i = 1, 2, \dots, n$, $\tilde{\mathbf{q}} = \mathbf{q}_d - \mathbf{q}$ denotes the position error vector, $\text{sat}(\tilde{\mathbf{q}})$ was defined in Definition 3, α is a small positive constant suitably selected. $\mathbf{SAT}(\tilde{\mathbf{q}}; \boldsymbol{\tau}_p) \in \mathbb{R}^n$, $\mathbf{SAT}(\dot{\mathbf{q}}; \boldsymbol{\tau}_v) \in \mathbb{R}^n$ and $\mathbf{SAT}(\mathbf{w}; \boldsymbol{\tau}_w) \in \mathbb{R}^n$ are the proportional, derivative and integral hard saturation functions respectively defined in Definition 4. The closed loop system is shown in the Figure 1.

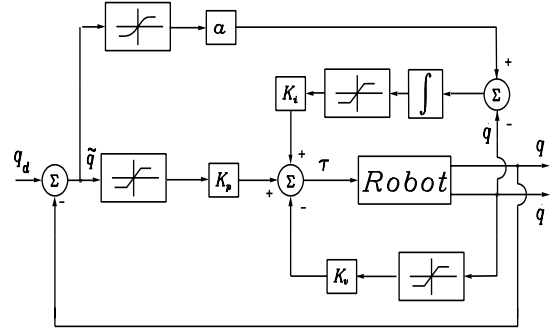


Fig. 1. Closed loop system

For analysis purpose, the control law (9), can be written as $\boldsymbol{\tau} = K_p \mathbf{SAT}(\tilde{\mathbf{q}}) + \mathbf{g}(\mathbf{q}_d) + \boldsymbol{\tau}'$ where $\boldsymbol{\tau}' = -K_v \mathbf{SAT}(\dot{\mathbf{q}}) + \boldsymbol{\tau}''$ and $\boldsymbol{\tau}'' = K_i \mathbf{SAT}(\mathbf{w}) - \mathbf{g}(\mathbf{q}_d)$ (for avoiding cumbersome notation, henceforth, we omit the saturation limit parameters). This structure of the control law, allow us, to represent the closed loop system as an unforced interconnected system, (see Figure 2).

In the next paragraphs we analyze the stability of the equilibrium of the closed loop system formed by (9) and (1), which is given by

$$\begin{bmatrix} \dot{\tilde{\mathbf{q}}} \\ \ddot{\mathbf{q}} \\ \dot{\mathbf{w}} \end{bmatrix} = \begin{bmatrix} -\dot{\mathbf{q}} \\ M^{-1} [K_p \mathbf{SAT}(\tilde{\mathbf{q}}) - K_v \mathbf{SAT}(\dot{\mathbf{q}}) + K_i \mathbf{SAT}(\mathbf{w}) - F_v \dot{\mathbf{q}} - C(\mathbf{q}, \dot{\mathbf{q}}) \dot{\mathbf{q}} - \mathbf{g}(\mathbf{q})] \\ \alpha \text{sat}(\tilde{\mathbf{q}}) - \dot{\mathbf{q}} \end{bmatrix} \quad (10)$$

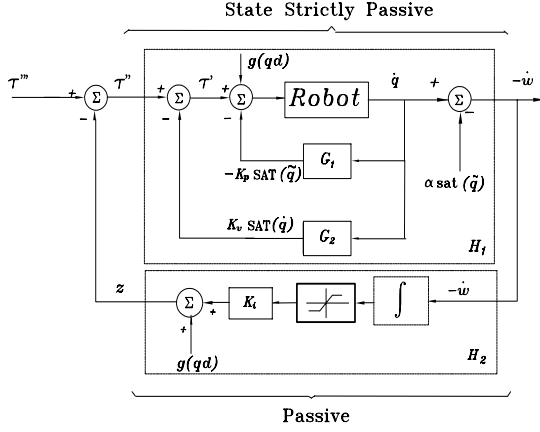


Fig. 2. Feedback System

which is an autonomous differential equation whose unique equilibrium is: $[\tilde{q}^T \ \dot{q}^T \ w^T]^T = [0 \ 0 \ K_i^{-1}g(q_d)]^T$, provided that $\lambda_m\{K_i\} > \max_i \bar{g}_i$. Such an analysis is carried out using passivity theory of interconnected systems.

Now, we are in position to introduce some propositions —whose proofs are omitted due to paper length— that will allow us to conclude asymptotic stability of the closed loop system (10).

Proposition 1. The Robot dynamics (1) in closed-loop with

$$\tau = K_p \text{SAT}(\tilde{q}) - K_v \text{SAT}(\dot{q}) + g(q_d) + \tau'' \quad (11)$$

is state strictly passive (see H_1 in Figure 2), from the input torque τ'' to the output $-\dot{w} = (\dot{q} - \alpha \text{sat}(\tilde{q}))$, it is to say,

$$(\dot{q} - \alpha \text{sat}(\tilde{q}))^T \tau'' \geq \dot{V}_1(\dot{q}, \tilde{q}) + \varphi(\dot{q}, \tilde{q}), \quad (12)$$

with the storage function given by

$$\begin{aligned} V_1(\dot{q}, \tilde{q}) = & \frac{1}{2} \dot{q}^T M(q) \dot{q} - \alpha \text{sat}(\tilde{q})^T M(q) \dot{q} + \mathcal{U}(q) \\ & - \mathcal{U}(q_d) + \sum_{i=1}^n k_{p_i} \int_0^{\tilde{q}_i} \text{SAT}(\xi_i) d\xi_i \\ & + g(q_d)^T \tilde{q} + \sum_{i=1}^n \alpha \int_0^{\tilde{q}_i} f_{v_i} \text{sat}(\xi_i) d\xi_i, \end{aligned} \quad (13)$$

with α satisfying

$$\frac{\lambda_m\{F_v\}}{\lambda_M\{M\} + \sqrt{n}k_{c_1}} > \alpha. \quad (14)$$

$$\frac{4[\lambda_m\{K_p\} - k_{h_2}]\lambda_m\{K_v\}}{\lambda_M^2\{K_v\}} > \alpha. \quad (15)$$

and $\lambda_m\{K_p\} > k_{h_2}$ with $k_{h_2} = \frac{2k'}{\tanh(\frac{2k'}{k_g})}$.

The term $\sum_{i=1}^n \alpha \int_0^{\tilde{q}_i} f_{v_i} \text{sat}(\xi_i) d\xi_i$ is related with the dissipated energy by the viscous friction

torque, and $\alpha \text{sat}(\tilde{q})M(q)\dot{q}$ is a cross term which depends on position error and velocity. The state dissipation rate is given by:

$$-\varphi(\dot{q}, \tilde{q}) =$$

$$\begin{aligned} & -\dot{q}^T K_v \text{SAT}(\dot{q}) - \dot{q}^T F_v(\dot{q}) - \alpha \text{sat}(\tilde{q})^T M(q) \dot{q} \\ & - \alpha \text{sat}(\tilde{q})^T C(q, \dot{q}) \dot{q} + \alpha \text{sat}(\tilde{q})^T K_v \text{SAT}(\dot{q}) \\ & - \alpha \text{sat}(\tilde{q}^T)[g(q_d) - g(q)] - \alpha \text{sat}(\tilde{q}^T) K_p \text{SAT}(\tilde{q}). \end{aligned}$$

◇

Proposition 2. The system (see H_2 in Figure 2)

$$\dot{w} = \alpha \text{sat}(\tilde{q}) - \dot{q}$$

$$z = [-K_i \text{SAT}(w) + g(q_d)]$$

is passive from the input $\dot{q} - \alpha \text{sat}(\tilde{q})$ to the output z with a radially unbounded non negative storage function given by

$$V_2(w - K_i^{-1}g(q_d)) = \sum_{i=1}^n k_{i_i} \int_{k_{i_i}^{-1}g_i(q_d)}^{w_i} [\text{SAT}(\xi_i) - k_{i_i}^{-1}g_i(q_d)] d\xi_i, \quad (16)$$

which has an unique and global minimum at $w = K_i^{-1}g(q_d)$ —provided that $\lambda_{\min}\{K_i\} > \max_i \bar{g}_i$ —. That means:

$$\int_0^T (\dot{q} - \alpha \text{sat}(\tilde{q}))^T z dt \geq -V_2(0) \quad (17)$$

◇

Right a way, we present a theorem that allows to conclude global asymptotic stability for the equilibrium of an unforced feedback system, which is composed by the feedback interconnection of a state strictly passive system with a passive system.

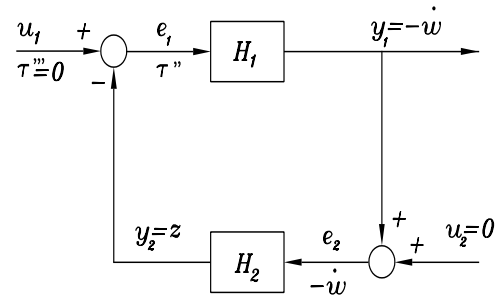


Fig. 3. Feedback connection

Theorem 1. Consider the feedback system of Figure 3 where H_1 and H_2 are dynamical systems of the form

$$\dot{x}_i = f_i(x_i, e_i)$$

$$y_i = h_i(x_i, e_i)$$

for $i = 1, 2$, where $\mathbf{f}_i : \mathbb{R}^{m_i} \times \mathbb{R}^n \rightarrow \mathbb{R}^{m_i}$ and $\mathbf{h}_i : \mathbb{R}^{m_i} \times \mathbb{R}^n \rightarrow \mathbb{R}^n$ are supposed sufficiently smooth such that the system is well-defined. Also we assume $\mathbf{f}_1(\mathbf{0}, \mathbf{e}_1) = \mathbf{0} \Rightarrow \mathbf{e}_1 = \mathbf{0}$, $\mathbf{f}_2(\mathbf{x}_2^*, \mathbf{0}) = \mathbf{0}$, $\mathbf{h}_1(\mathbf{0}, \mathbf{0}) = \mathbf{0}$. and $\mathbf{h}_2(\mathbf{x}_2^*, \mathbf{0}) = \mathbf{0}$. The system has the same number of inputs and outputs. Suppose the feedback system has a well-defined state-space model

$$\begin{aligned}\dot{\mathbf{x}} &= \mathbf{f}(\mathbf{x}, \mathbf{u}) \\ \mathbf{y} &= \mathbf{h}(\mathbf{x}, \mathbf{u})\end{aligned}\quad (18)$$

where

$$\mathbf{x} = \begin{bmatrix} \mathbf{x}_1 \\ \mathbf{x}_2 \end{bmatrix}, \quad \mathbf{u} = \begin{bmatrix} \mathbf{u}_1 \\ \mathbf{u}_2 \end{bmatrix}, \quad \mathbf{y} = \begin{bmatrix} \mathbf{y}_1 \\ \mathbf{y}_2 \end{bmatrix}$$

\mathbf{f} and \mathbf{h} are sufficiently smooth, $\mathbf{f}(\mathbf{x}^*, \mathbf{0}) = \mathbf{0}$, and $\mathbf{h}(\mathbf{x}^*, \mathbf{0}) = \mathbf{0}$. Let H_1 be a state strictly passive system with a positive definite storage function $V_1(\mathbf{x}_1)$ and state dissipation rate $\rho_1\psi_1(\mathbf{x}_1)$ and H_2 be a passive and equilibrium-state observable system with a non negative storage function $V_2(\mathbf{x}_2 - \mathbf{x}_2^*)$ with a unique minimum in \mathbf{x}_2^* ; that is,

$$\begin{aligned}e_1^T \mathbf{y}_1 &\geq \dot{V}_1(\mathbf{x}_1) + \rho_1\psi_1(\mathbf{x}_1) \\ e_2^T \mathbf{y}_2 &\geq \dot{V}_2(\mathbf{x}_2 - \mathbf{x}_2^*).\end{aligned}$$

Then the equilibrium \mathbf{x}^* of

$$\dot{\mathbf{x}} = \mathbf{f}(\mathbf{x}, \mathbf{0}) \quad (19)$$

is asymptotically stable. If $V_1(\mathbf{x}_1)$ and $V_2(\mathbf{x}_2 - \mathbf{x}_2^*)$ are radially unbounded then the equilibrium of (19) will be globally asymptotically stable. \diamond

In relation to Theorem 1 and considering that $\mathbf{x}_1 = [\tilde{\mathbf{q}}^T \ \dot{\tilde{\mathbf{q}}}^T]^T$, $\mathbf{x}_2 = \mathbf{w}^T$, $\mathbf{e}_2 = \mathbf{y}_1 = -\dot{\mathbf{w}}$, $\mathbf{y}_2 = \mathbf{z}$, $\mathbf{e}_1 = \boldsymbol{\tau}''$, $V_1(\mathbf{x}) = V_1(\dot{\tilde{\mathbf{q}}}, \tilde{\mathbf{q}})$, $V_2(\mathbf{x}_2 - \mathbf{x}_2^*) = V_2(\mathbf{w} - K_i^{-1}\mathbf{g}(\mathbf{q}_d))$, $\mathbf{u}_1 = \boldsymbol{\tau}''' = \mathbf{0}$, $\mathbf{u}_2 = \mathbf{0}$. The closed-loop system equation (10) leads to (18) (see Figure 2).

By using the Propositions 1, 2 and Theorem 1 we can prove the following:

Proposition 3. Consider the saturated nonlinear PID regulator (9) in closed-loop with the robot dynamics (1). The closed-loop system can be represented by an interconnected system (see Figure 2), which satisfies the following conditions

- A1. The system in the forward path defines a state strictly passive mapping with a radially unbounded positive definite storage function given by (13), provided that $\lambda_{\min}\{K_p\} > k_{h_2}$.
- A2. The system in the feedback path defines an equilibrium state observable passive mapping with a non negative and radially unbounded storage function given by (16), provided that $\lambda_{\min}\{K_i\} > \max_i \bar{g}_i$.

Besides, the equilibrium $[\tilde{\mathbf{q}}^T \ \dot{\tilde{\mathbf{q}}}^T \ \mathbf{w}^T]^T = [0 \ 0 \ K_i^{-1}\mathbf{g}(\mathbf{q}_d)]^T \in \mathbb{R}^{3n}$ of the closed-loop system (10) is globally asymptotically stable. Furthermore the applied torques are bounded by $|\tau_i| \leq \tau_i^{\max}$ for $i = 1, 2, 3 \dots n$. \diamond

5. SIMULATION RESULTS

Using the SIMNON software, we tested our algorithm in the two revolute jointed robot manipulator used in (Campa, *et al.*, 2004). The desired joint positions were chosen as $q_{d1} = 90^\circ$ and $q_{d2} = 60^\circ$. The gain was tuned as $K_p = \text{diag}\{40, 39\}$ [Nm/rad], $K_i = \text{diag}\{100, 100\}$ [Nm/rad sec] and $K_v = \text{diag}\{12, 12\}$ [Nm sec/rad]. The maximum torques supplied by the actuators are $\tau_1^{\max} = 15$ [Nm] and $\tau_2^{\max} = 4$ [Nm]. The parameters to be used are: $\lambda_M\{M(\mathbf{q})\} = 0.361$ [kg m²], $\lambda_m\{M(\mathbf{q})\} = 0.011$ [kg m²], $k_g = 23.94$ [kg m²/sec²], $k_{c_1} = 0.049$ [kg m²], $k_{h_2} = 31.43$ [Nm], $\lambda_m\{F_v\} = 0.1713$ and $\alpha = 0.397$ [sec⁻¹].

The Figure 4 shows how the position errors con-

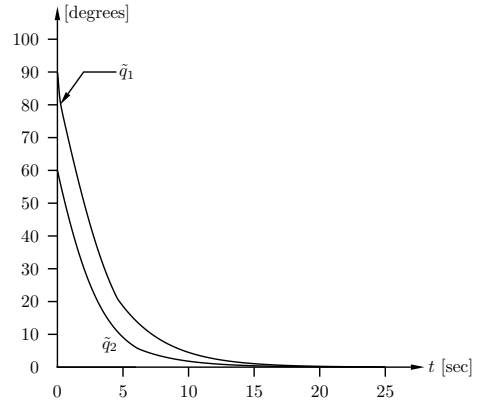


Fig. 4. Joint position errors for the saturated PID Control

verge to zero and the Figure 5 shows the torques for a period of six second. We can observe from

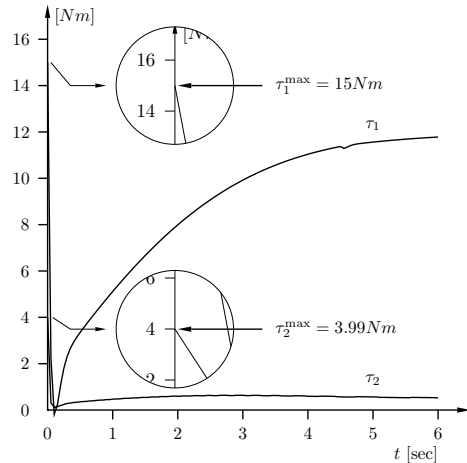


Fig. 5. Applied torque using the saturated PID Control

Figure 5 that the proposed saturated nonlinear PID controller yields control inputs $|\tau_1| < \tau_1^{\max} = 15$ [Nm] and $|\tau_2| < \tau_2^{\max} = 4$ [Nm].

6. CONCLUSIONS

In this paper we have proposed a saturated nonlinear PID regulator to solve the global regulation problem of robot manipulators with bounded torques.

By using a passivity based approach, we have presented a global asymptotic stability analysis of the closed loop system.

It has been proved that the passive structure of the rigid robot (Ortega and Spong, 1998) is preserved in closed loop with the saturated feedback of position and velocity from a new input torque τ'' to the output $-\dot{w} = (\dot{q} - \alpha \text{sat}(\tilde{q}))$. Besides, the feedback corresponding to the saturated integral action defines a passive mapping.

Based on the above reasoning we show that the proposed saturated nonlinear PID regulator in closed-loop with the robot manipulator, can be represented as a feedback system composed by two blocks, in which, the feedforward system is state strictly passive and the feedback system is passive and equilibrium–state observable.

Global asymptotic stability of the equilibrium of the closed-loop system is given in a direct way using a passivity theorem, which is an adaptation of a passivity theorem presented in the literature of passive systems.

It is also guaranteed that, regardless of initial conditions, the delivered torques evolve inside prescribed limits.

REFERENCES

- Alvarez, J., R. Kelly and I. Cervantes (2003). Semiglobal stability of saturated linear PID control for robot manipulators. *Automatica*, **Vol. 39**, pp. 989–995.
- Arimoto, S. (1995). Fundamental problems of robot control: Part I, Innovations in the realm of robot servo-loops. *Robotica*, **Vol. 13**, pp. 19–27.
- Campa, R., R. Kelly and V. Santibáñez (2004). Windows-Based real-time control of direct-drive mechanisms *Mechatronics*, **Vol. 14**, pp. 1021–1036.
- Colbaugh, R., E. Barany and K. Glass (1997a). Global regulation of uncertain manipulators using bounded controls. *Proc. IEEE Int. Conf. Robotics and Automation*, Albuquerque, NM, pp. 1148–1155.
- Colbaugh, R., E. Barany and K. Glass (1997b). Global stabilization of uncertain manipulators using bounded controls. *Proc. American Control Conference*, U.S.A, pp. 86–91.
- Craig, J.J. (1988). *Adaptive Control of Mechanical Manipulators*. Reading, MA: Addison-Wesley.
- Gorez, R. (1999). Globally stable PID-like control of mechanical systems. *Systems Control Letters*, **Vol. 38**, pp. 61–72.
- Kelly, R., and V. Santibáñez (1996). A class of global regulators with bounded control actions for robot manipulators. *Proc. IEEE Conf. Decision and Control*, Kobe, Japan, pp. 3382–3387.
- Kelly, R. (1998). Global positioning of robot manipulators via PD control plus a class of nonlinear integral actions. *IEEE Transactions on Automatic Control*, **Vol. 43**, No. 7, pp 934–938.
- Kelly, R., y V. Santibáñez (2003). *Control de Movimiento de Robots Manipuladores*. Pearson Prentice Hall. España.
- Khalil, H. (1996). *Nonlinear Systems*. Prentice Hall.
- Koditschek, D. (1984). Natural motion for robot arms, *Proc. IEEE Conference on Decision and Control*, Las Vegas, NV., pp. 733–735.
- Laib, A. (2000). Adaptive output regulation of robot manipulators under actuator constraints, *IEEE Tran. Rob. Autom.*, **Vol. 16**, pp.29–35.
- Loria, A., R. Kelly, R. Ortega, and V. Santibáñez (1997). On global output feedback regulation of Euler–Lagrange systems with bounded inputs. *IEEE Trans. Automat. Contr.*, **Vol. 42**, pp. 1138–1143.
- Meza, J.L., and V. Santibáñez (1999). Analysis via passivity theory of a class of nonlinear PID global regulators for robot manipulators. *Proc. of the IASTED International Conference, Robotics and Applications RA'99, U.S.A.*, pp. 288–293.
- Ortega, R., and M. Spong (1989). Adaptive motion control of rigid robots: a tutorial. *Automatica*, **Vol. 25**, No. 6, pp. 877–888.
- Santibáñez, V., and R. Kelly (1997). On Global regulation of robot manipulators: saturated linear state feedback and saturated linear output feedback. *European Journal of Control*, **Vol. 3**, pp. 104–113.
- Santibáñez, V., and R. Kelly (1998a). A class of Nonlinear PID Global regulators for robot manipulators. *Proc. of 1998 IEEE International Conference on Robotics and Automation*. Bélgica, pp. 3601–3606.
- Santibáñez, V., and R. Kelly (1998b). A New set-point controller with bounded torques for robot manipulators. *IEEE Transactions on Industrial Electronics*, **Vol. 45**, pp. 126–133.
- Spong M., and M. Vidyasagar (1989). *Robot Dynamics and Control*, John Wiley and Sons.
- Zergeroglu, E., W. Dixon, A. Behal, and D. Dawson (2000). Adaptive set–point control of robotic manipulators with amplitude–limited control inputs. *Robotica*, **Vol. 18**, pp. 171–181.